



Water Engineering in Motion

sales@kgnpillinger.com

tel. 0208 681 0097

ProductDataSheet



Pressurisation Units

SE200ES, SE200ES-TS

The KGN Pillinger “SE” Electronic range of Pressurisation Units are self-contained, fully automatic, PLC controlled and designed to maintain the required systems pressure in both heating and chilled water systems.

Advantages of a sealed system

- Elimination of corrosion due to the lack of contact between air and water within the system
- Automatically pumps water into the system(s) to maintain the correct set pressure
- Eliminates the need for a large tank within the roof space of a building


Design

All incorporate bronze pumps which are housed in a brushed 304 stainless steel cabinet suitable for floor standing or wall mounting.

SE200ES: Twin pump single system

SE200ES-TS: Twin pump dual system

Features

- PLC controller
- Heavy duty fill pumps
- Pipework: Nylon push fit
- Pump protection: MCB(s)
- Pressure regulating valve (TS unit only)
- Tank low level cut off switch
- High and low pressure output
- Break tank: One 18 litres (4 gallons)
- Designed for system pressures up to 6 bar
- Automatic pump duty changeover per operation
- Additional expansion vessel(s) can be calculated and supplied upon request
- Pre-assembled with high and low pressure cut out VFC terminals for boiler and chiller interface
- Visual Indications: Illuminated mains on switch, glycerine filled pressure gauge and visual readout on PLC display
- Polypropylene tank incorporating air gap,  ball/float valve (DN15 BS21) and overflow (DN22 BS21)



Dimensions

Width: 420 mm

Depth: 370 mm

Height: 750 mm

Electrical

Watts: 0.75 kW

Volts: 240 V or 400 V

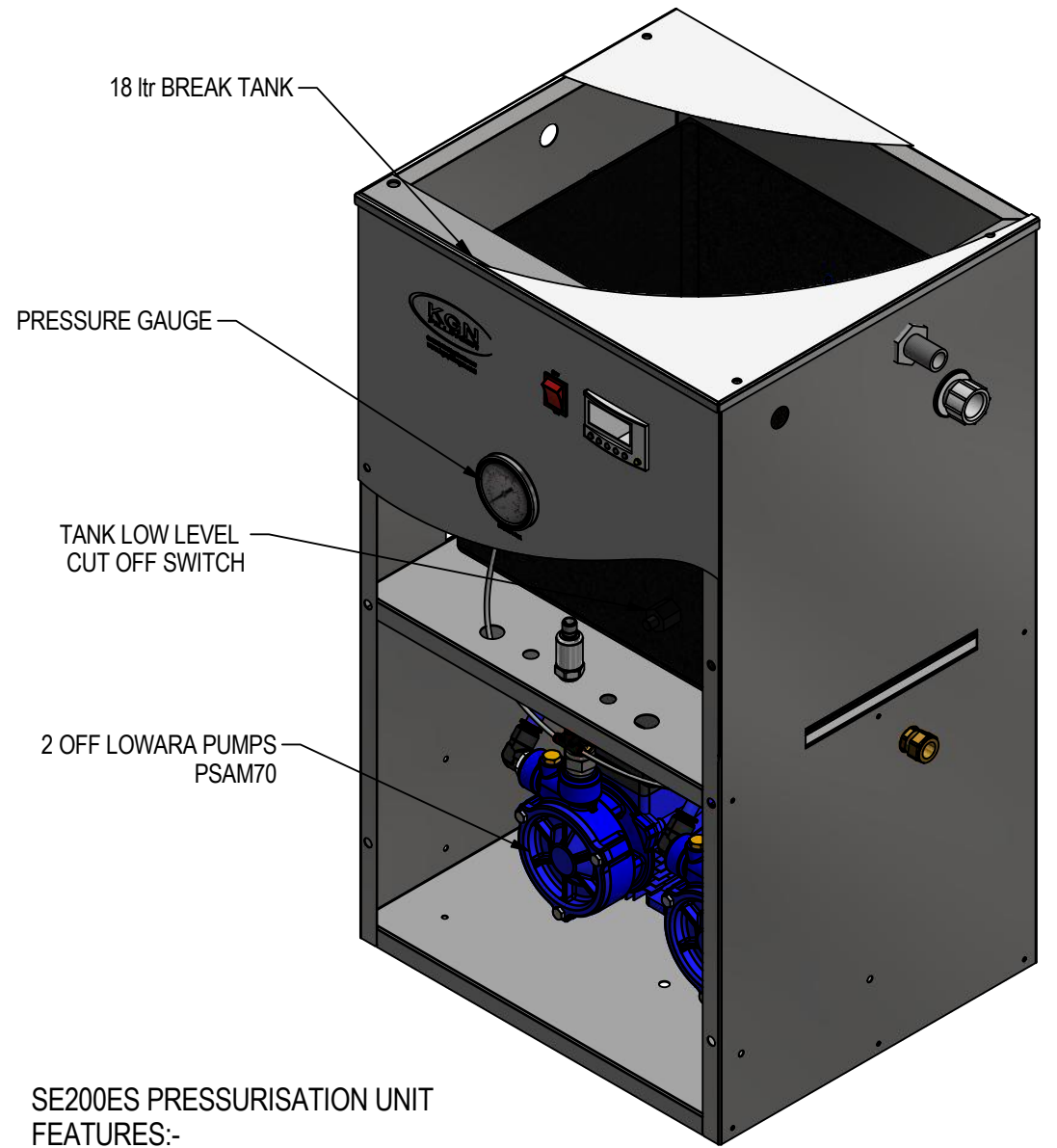
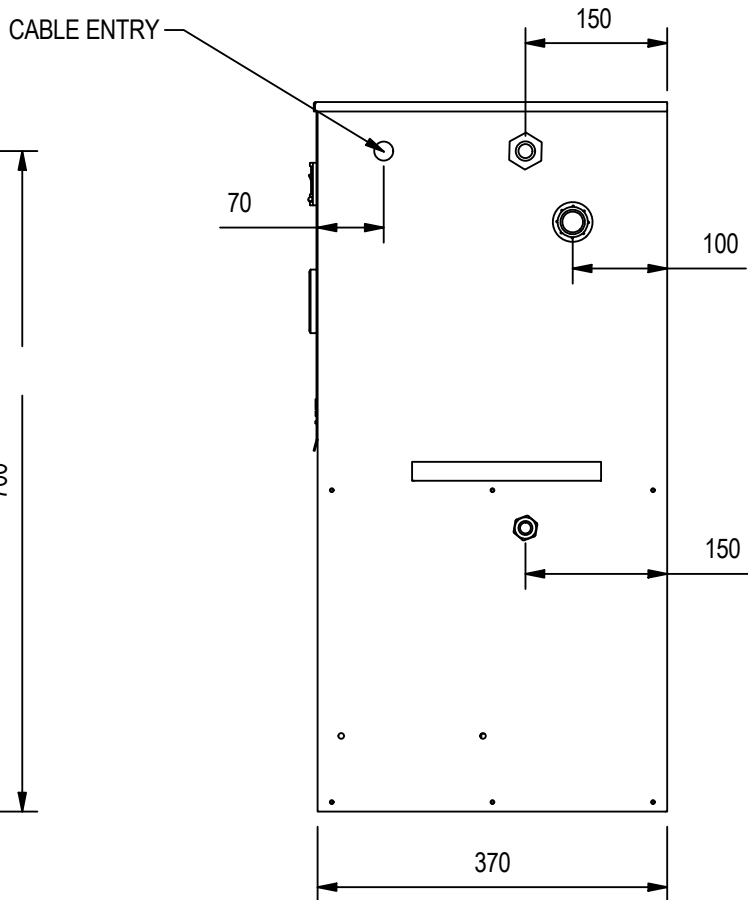
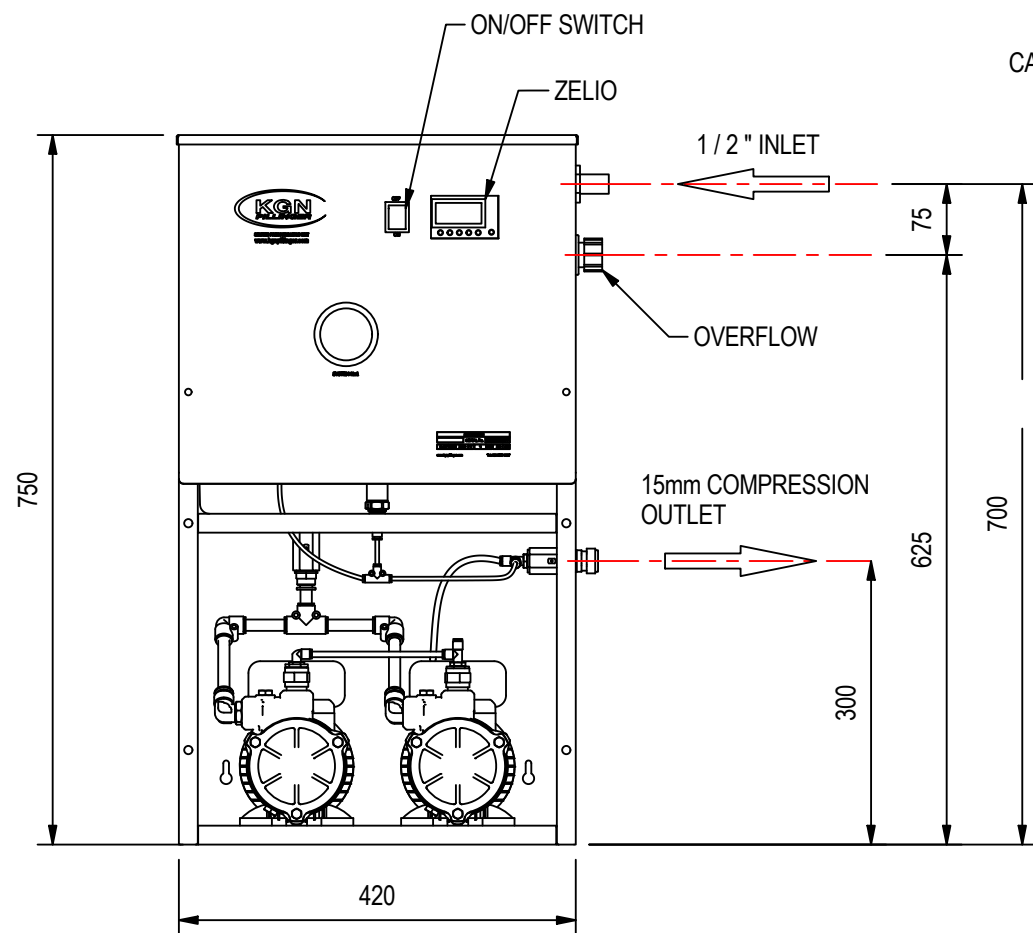
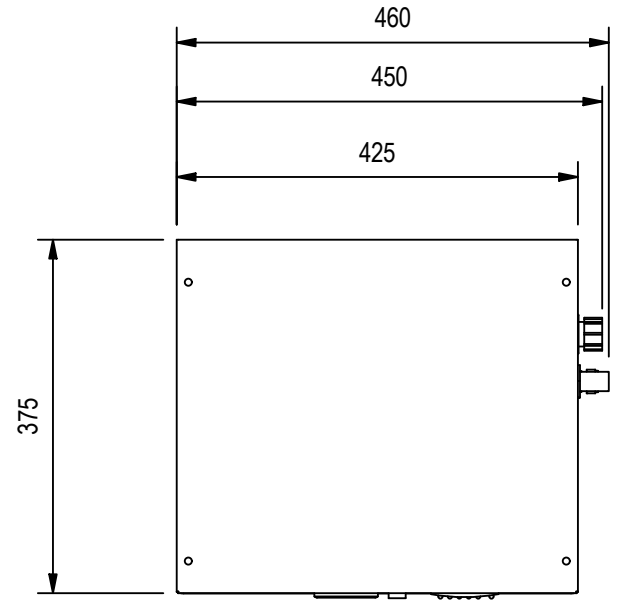
Amps: 3.41 A or 1.59 A

Weight

38.5 kg

Please contact our sales team for further information on these and the complete range of KGN Pillinger water boosting equipment, pressurisation units and stainless steel fabrication.

DO NOT SCALE - IF IN DOUBT ASK



SE200ES PRESSURISATION UNIT FEATURES:-

- STANDARD STOCK ITEM
- LIGHT WEIGHT STAINLESS /STEEL CABINET
- PLC CONTROLLER
- ILLUMINATED ON/OFF SWITCH
- PIPEWORK: NYLON PUSH FIT
- MCB PUMP PROTECTION
- PRESSURE REGULATING VALVE (TWIN SYSTEM ONLY)
- TANK LOW LEVEL CUT OFF SWITCH
- BREAK TANK 18 Ltrs (4 GALLON)
- GLYCERINE FILLED PRESSURE GAUGE
- HIGH AND LOW PRESSURE OUTPUTS
- DESIGNED FOR SYSTEM PRESSURE UP TO 7 BAR
- AIR GAP TO PREVENT BACKFLOW CONTAMINATION

PROD APPD					
DES APPD					
CHECKED	A	ISSUED FOR APPROVAL	08.11.18	AO'B	
DS	ISS	DESCRIPTION	DATE	DRN	APPD

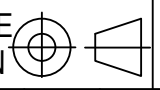
THE COPYRIGHT OF THIS DOCUMENT IS OWNED BY KGN PILLINGER. IT IS ISSUED IN CONFIDENCE AND MUST NOT BE REPRODUCED IN ANY FORM, FOR ANY PURPOSE TO A THIRD PARTY EITHER WHOLLY OR IN PART WITHOUT WRITTEN CONSENT.

ALL DIMENSIONS IN MM
EXPLANATION OF DIMENSIONS ETC.
SEE BS 8888

CLIENT
KGN STANDARD

PROJECT

THIRD ANGLE
PROJECTION



TITLE
SE200ES PRESSURISATION UNIT

DESCRIPTION
GENERAL ARRANGEMENT

DRAWING No. 25213 - SE200ES	SCALE 1:8	SHT SIZE 1 OF 1	ISSUE A
--------------------------------	--------------	--------------------	------------