

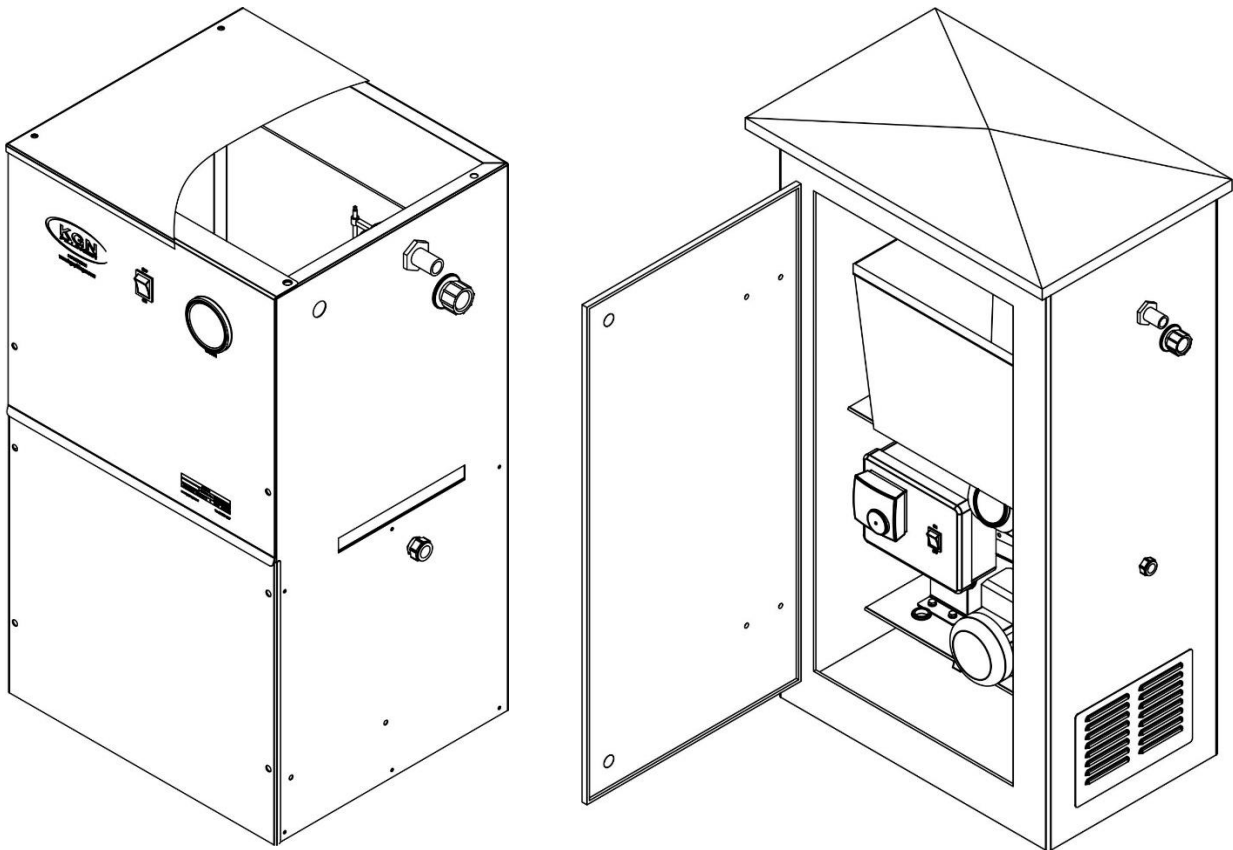


# CAT 5 WASHDOWN BOOSTER SETS

## Operating & Maintenance

Original Instructions

Dated: 17.09.2020 – Revision: 1



Ref: OM0002



[service@kgnpillinger.com](mailto:service@kgnpillinger.com)  
[www.kgnpillinger.com](http://www.kgnpillinger.com)  
tel. 0208 681 0097

Table of Content:

1) <a href="#">Introduction</a> .....	3
2) <a href="#">Warnings for the Safety of people &amp; Property</a> .....	3
3) <a href="#">Overview</a> .....	4
4) <a href="#">Main Components</a> .....	5 – 6
5) <a href="#">Storage &amp; Handling</a> .....	7
6) <a href="#">Operating Limits</a> .....	7
7) <a href="#">Product Identification Code</a> .....	8
8) <a href="#">Installation</a> .....	9
9) <a href="#">Commissioning</a> .....	10
10) <a href="#">Product Specific Manuals</a> .....	10
11) <a href="#">Maintenance</a> .....	11
12) <a href="#">General Fault-Finding Guidance</a> .....	11
13) <a href="#">EC Declaration of Conformity</a> .....	13

## 1). Introduction:

The information contained within this manual is intended for the installer/user of this equipment to safely install & operate the products mentioned.

The products are to be installed by a competent person who is familiar with all the required and relevant regulations.

Failure to install/operate or maintain the equipment in accordance with these instructions could cause harm, injury to persons or damage to property.

Failure to install/operate/maintain the equipment according to the Operating & Maintenance instructions could invalidate the warranty as provided by KGN Pillinger.

No liability can be accepted for damage or operation disorders due to neglect, misuse, modification or use of equipment other than for its intended application.

This information should be read in conjunction with the manufacturers O&M.



### QR Code:

The codes are scannable via a smart phone or tablets camera to retrieve specific product details in support of these instructions.

## 2). Warnings for the Safety of People & Equipment:



### DANGER:

Failure to observe this caution may result in injury and/or damage to equipment.



### ELECTRIC SHOCK:

Failure to observe this warning may result electric shock.

**WARNING**

### WARNING:

Failure to observe this warning may cause damage/injury to property, environment or person(s).



[service@kgnpillinger.com](mailto:service@kgnpillinger.com)  
[www.kgnpillinger.com](http://www.kgnpillinger.com)  
tel. 0208 681 0097

### 3). Overview:

The KGN Pillinger CAT 5/CAB washdown booster set provides category 5 back flow protection, preventing any backflow of contamination in to the mains water supply, while maintaining flow and pressure.

The unit is compact, lightweight and housed in a stainless-steel cabinet for easy wall mounting.

The internal unit is compact, lightweight and housed in a stainless-steel cabinet for easy wall mounting.

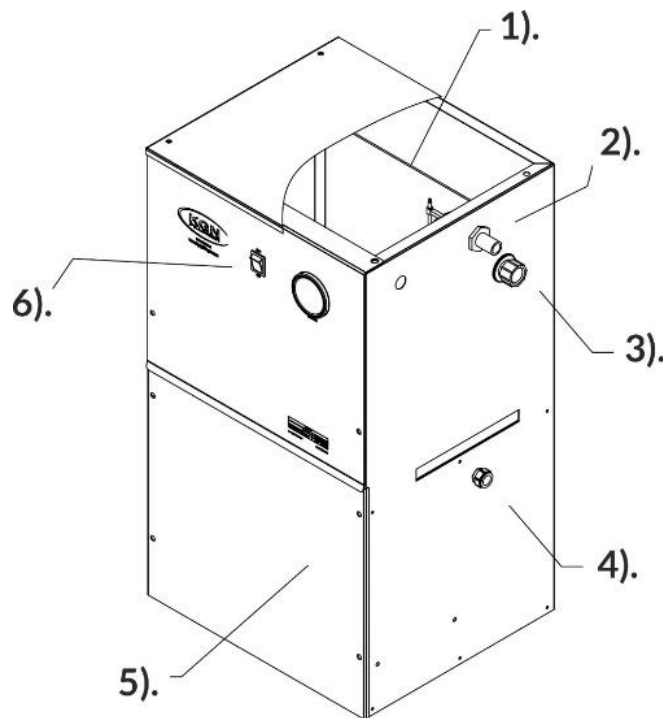
The external unit is housed in a floor mount grp kiosk. wall mounting brackets are available.

#### Basic Operation:

- When a draw off point connected to the system is opened the pressure will start to fall and the pump will start to pressurise the system.
- The pump will continue to run until demand ceases completely and flow has stopped.
- The pump will then shutdown.
- The pressure will now be sitting at the pump closed valve head value.
- For external cat 5 units there is a thermostat and tubular heater to regulate temperature to protect against frost.

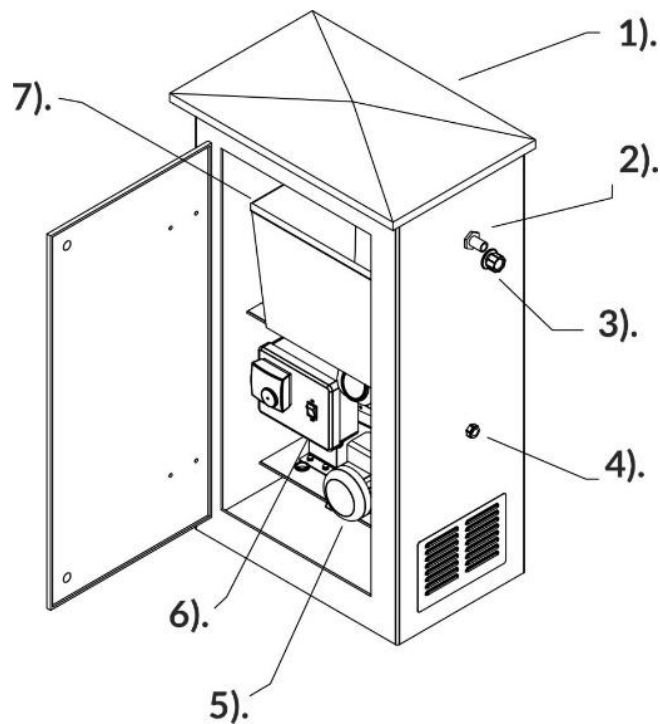
#### 4). Main Component Listing - CAT 5.

<u>REF</u>	<u>Component</u>
1	18Ltr Break Tank
2	Inlet
3	Overflow
4	Compression Outlet
5	Pump
6	On/Off Switch



## Main Component Listing - EXT CAT 5 CAB.

<u>REF</u>	<u>Component</u>
1	Kiosk
2	Inlet
3	Overflow
4	Compression Outlet
5	Pump
6	On/Off Switch
7	Break Tank



## 5). Storage & Handling:



### Assembled units' weight > 25kgs.

Failure to properly lift & support these sets can result in serious personal injury and/or equipment damage. The appropriate rated lifting devices and methods must be used for & during lifting operations.

- The CAT 5 booster set is packaged in a dedicated cardboard base, surround and top
- (this is to remain in place until ready for install).
- The product must be stored in a covered and dry location, free from dirt, heat and vibrations.
- The product must be stored at an ambient temperature between: 5°C to 40°C.
- Do not place heavy weights on packaged products as this may cause damage.
- If the equipment is to be stored for any length of time all liquids within the pumps & tank should be drained.

## 6). Operating Limits:

AMBIENT TEMPERATURE	5°C to 40°C
PROTECTION CLASS	IP54
UNIT WEIGHT (WITHOUT WATER)	25 kgs

### Noise emissions:



This equipment operates at a noise level < 70dBA.

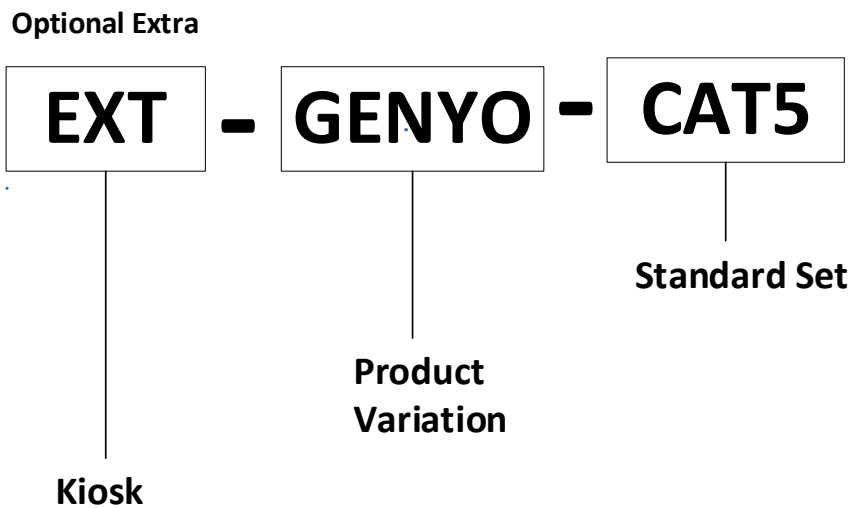
Exposure to excessive noise can cause permanent hearing damage. It is the end users' responsibility to identify the required legal requirements, ensuring the appropriate safety equipment (PPE) is applied and noise control is in place.



[service@kgnpillinger.com](mailto:service@kgnpillinger.com)  
[www.kgnpillinger.com](http://www.kgnpillinger.com)  
tel. 0208 681 0097

## 7). Product Identification Code(s).

All KGN Pillinger CAT 5 boosting sets are identified by the below coding, each product will have this clearly affixed to the set:





## 8). Installation

- Prior to installation the booster set should be thoroughly checked for any damage during transportation and reported immediately to KGN Pillinger and not installed.
- The booster set requires install in a ventilated, dry frost-free position, allowing 0.5m clearance on all sides and front to enable general maintenance.
- Connect the CAT 5 booster set water inlet (right side of cabinet) to a suitable water supply.
- **If unit is being fed from a mains water supply the flow restrictor within the inlet valve may need to be removed**
- Install an isolation valve (not provided by KGN) to aid maintenance.
- Connect to the overflow outlet (right hand side of unit) and position an overflow pipe to be noticed and rectified (if required).

### WARNING

#### WARNING:

It is the responsibility of the installer to ensure that the overflow is able to keep up with the incoming water volume, if not the case then a pressure reducing valve is advised to reduce the incoming water volume.

- Connect the discharge port (right hand side of cabinet) to the system inlet.

### WARNING

#### WARNING:

The break tank has a 'weir slot' as required by the water bylaws to prevent back flow contamination.  
If the inlet ball valve or NRV suffered a catastrophic failure the sized overflow may not be able to handle the water volume.  
In this instance, excess water will be ejected through the weir slot and onto the plant room floor.

## Electrical Connections



**All electrical connections must be made by a qualified electrical in accordance with all local regulations and standards.**

- The incoming supply must be sized to carry the motor full load current of the pump (as shown on duty plate).
- All electrical connections are to be made against the relevant product wiring diagrams.
- All electrical connections should be sized, installed and protected in accordance with the requirements of the latest safety standards and any other current local rules and regulations.
- **It's essential that this equipment is earth bonded to the building earth system.**
-

## 9). Commissioning

If the pumping equipment is not installed, operated and maintained correctly it can lead to failure, void warranty and cost time and money.

The commissioning of the set assures all systems and components of the equipment supplied are installed, tested, operated and maintained according to the operational requirements of the system.

The commissioning process comprises of a set of engineering philosophies and procedures that inspect and test every operational component of the equipment, from individual functions such as instrumentation and control logic, through to the full operation of the system.

The main objective of commissioning is to provide the safe and orderly handover of the unit to the customer, guaranteeing its operability in terms of performance, reliability and safety.



**We recommend the unit is commissioned and subsequently serviced biannually by a fully trained KGN Pillinger engineer.**

## 10). Product Specific Manuals

For further details please refer to the specific manufacturer product manual available via QR code(s) below or via <https://kgnpillinger.co.uk/download-centre/>

Manufacturers/ products are identifiable by their product name plates located on the individual product



### **Jabsco Flowjet Quad Pump/ Lowara PABRM Pump.**

Scan the code with your smart device camera (or click the code) to be directed to the product specific operating manual for in-depth details.

## 11). Maintenance



Do not touch any live parts for at least 8 minutes after switching off the power.

The electrical system must be isolated prior to carrying out any works.

### WARNING

Failure to maintain the unit(s) may result in partial or complete failure and cause damage to property.

We recommend the unit is inspected frequently and serviced biannually by a fully trained and qualified - KGN Pillinger engineer.

### Six monthly checks

- Check the pump produces the correct pressure.
- Check that the pump operates without undue noise or vibration.
- Check the break tank is clean and that the correct water level has been maintained.
- Check that the earth connections are tight and making good contact.

## 12). General Fault-Finding Guidance:

FAULT	POSSIBLE CAUSE	RECOMMENDED ACTION
<u>No power, the set is off:</u>	1). Power supply disconnected. 2). Switch is in the off position.	Connect power supply. Switch set to on.
<u>Pump fail to stop:</u>	1). Leak in the system	Switch off unit until leak is repaired.
<u>Break tank overflowing</u>	1). Leaking ball valve	Replace ball valve seal.



[service@kgnpillinger.com](mailto:service@kgnpillinger.com)  
[www.kgnpillinger.com](http://www.kgnpillinger.com)  
tel. 0208 681 0097

Operating & Maintenance

CAT 5/CAB Washdown Booster Sets

## Disposal:

This product and its associated parts must be disposed of in accordance with local regulations, including all packaging.



K.G. Norman Ltd - t/a KGN Pillinger  
Unit 3, 214 Purley Way, Croydon, CR0 4XG - UK



[service@kgnpillinger.com](mailto:service@kgnpillinger.com)  
[www.kgnpillinger.com](http://www.kgnpillinger.com)  
tel. 0208 681 0097

Operating & Maintenance

CAT 5/CAB Washdown Booster Sets

### 13). EC Declaration of Conformity



## EC DECLARATION OF CONFORMITY

We hereby declare that the following KGN Pillinger (KG Norman Ltd )  
manufactured products:

Type A, AV, EV, SE, FSA, CAT5 & UPOD

are produced in accordance with the below provisions laid down by the:

MACHINERY Directive (2006/42/EC)  
LOW VOLTAGE Directive (2014/30/EU)  
EMC Directive (2014/65/EU)

& conforms to the below technical standards:

EN ISO 12100:2010 - EN 809+A1:2009 – EN 61000-6-1:2007 – EN 61000-6-2:2005  
EN 61000-6-3:2007+A1:2011 - EN 60204-1:2006+A1:2009

Christopher Norman  
Director

For & on behalf of  
KGN Pillinger  
CROYDON  
03/01/2020